

# VT100 BODY-WORN CAMERA

The VT100 delivers a customisable and fully integrated enterprise mobile video solution.



## GENERAL INFORMATION

Typical Usage	Enterprise managed incident recorder for personal and site security
Management Software	Requires VideoManager Licence or Cloud Service
Warranty	1 year return-to-manufacturer warranty For support relating to VideoManager, Software Assurance is required

## SIZE AND WEIGHT

Dimensions	80mm x 51mm x 22mm
Weight	72g

## BATTERY

Battery	Integral, not user serviceable
Battery Type	Lithium-ion
Battery Recharging Times	Typically recharges in less than 5 hours
Battery in Recording Mode	Up to 3 hours of recording, or up to 1.5 hours of live streaming & recording
Battery capacity in standby	6 months
Battery Overcharge Protection	VT100 has overcharge protection so cannot be overcharged and can be left in docking station

## AUDIO

Audio Capture	Yes
---------------	-----

## CAMERA

Buttons	Two buttons on back, either of which can be used to start and stop recording
Lens Capture Angle	130 degree field of view

## CAMERA FEATURES

Memory Capacity	16GB
Recording Status User Notification	Haptic and visual feedback
Storage Media Access	Sealed unit with no user access to storage media
Front Display Message	Display ID card with message/logo

## VIDEO AND RECORDING

Video Recording Format	H.264
Resolution	1280 x 720 HD
Frame Rate	30 frames per second
Recording Storage Capacity	16GB

## APPROVALS AND ENVIRONMENTAL

Ingress Protection	IP54
Environmental Temperature Operational Rating	Operating: -20°C to +40°C Charging: 0°C to +25°C

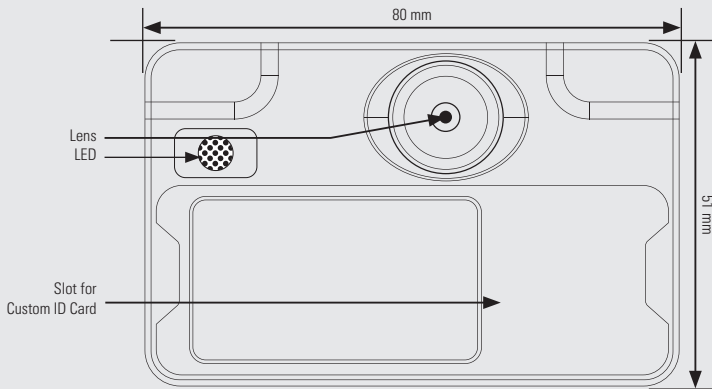
## WI-FI® FEATURES

Wi-Fi Specifications	802.11 b/g/n (2.4GHz WiFi)
Wi-Fi Security	WPA2-PSK
Wi-Fi Streaming	640x360 30fps Compatible with ONStream

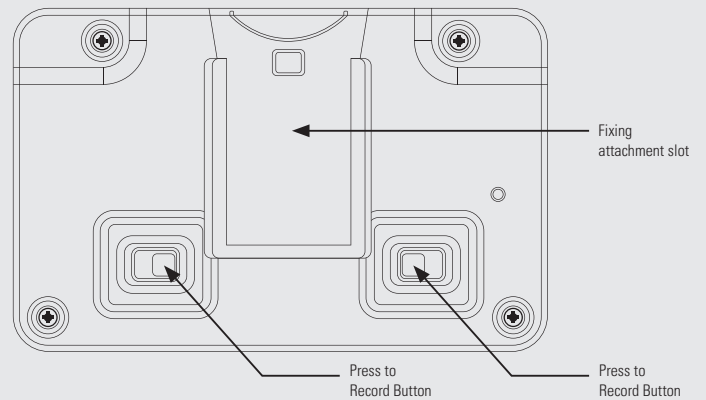
## SECURITY

Network Data Security on USB Storage Media	VT100 does not appear as a USB storage device, and cannot receive files whilst connected to a Wi-Fi network
Audit Trail	Usage, operations and recording details all audit-logged and indexed
Recordings View, Copy and Deletion Ability	The VT100 wearer cannot access, view or delete any recordings directly from the device, or camera without appropriate authorisation
Storage Media Access	Sealed unit with no user access to storage media

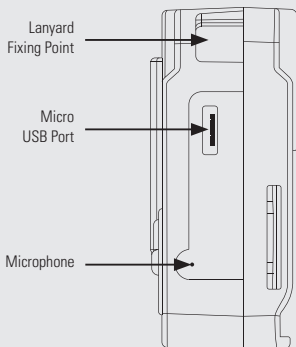
View on Front Face



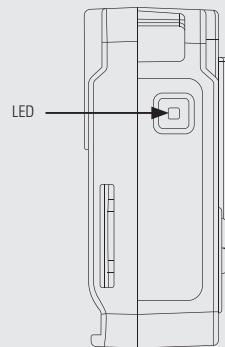
View on Back Face



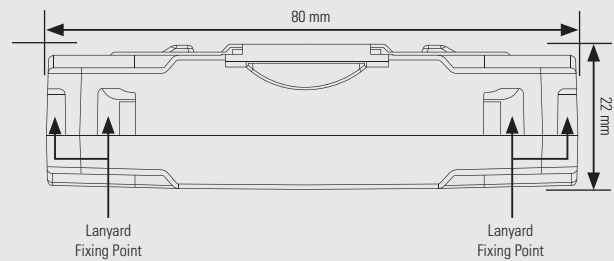
View on Left Side Face



View on Right Side Face



View on Top Face



# VT-100-N & ACCESSORIES

## VT100 (VT-100-N)



### Features include:

Wi-Fi streaming, Small and discreet, 16GB storage, 6 Months Standby (Instant Recording Mode), Up to 3 hours of recording, or up to 1.5 hours of live streaming & recording, 1 year return-to-base warranty.

PLEASE NOTE: Requires VideoManager Enterprise Licence or VideoManager Cloud Service. Please speak to your account manager for further details.

**PART NUMBER:** VT-100-N



## CHARGERS, DOCKCONTROLLERS, RFIDS & CUSTOM DISPLAY FRONT-PANEL ID CARD

VT-100-SOLO	VT100 1-Port Dock (2.0m USB Cable Included)
VT-100-SOLO-050	VT100 1-Port Dock (0.5m USB Cable Included)
VT-100-DOCK7/UK, VT-100-DOCK7/EU, VT-100-DOCK7/ROW	VT100 7-Port Dock*
VT-100-DOCK14/UK, VT-100-DOCK14/US, VT-100-DOCK14/ROW, VT-100-DOCK14/EU, VT-100-DOCK14/AUS	VT100 14-Port Dock
DC-200/UK, DC-200/EU, DC-200/US, DC-200/AUS, DC-200/ROW	DockController DC-200
RF-220	RFID RF-220
RF-STICKER-10	RFID Sticker-Style Tag
RF-CARD-10	RFID-Card
VT-100-ID-CUS-ART	Custom VT100 Front-panel ID Card (Design)
VT-100-ID-CUS-250, VT-100-ID-CUS-1000, VT-400-ID-CUS-5000	Custom VT100 Front-panel ID Card (Design) Can be ordered in the following amounts: 250, 1000, 5000



## ATTACHMENTS, LANYARDS & REPLACEMENT CABLES

VT-100-FIX-ALIG	VT100 Rotatable Long Alligator Clip
VT-100-FIX-EP	VT100 Epaulette (Shoulder) Clip
VT-100-FIX-SPORT	VT100 Sports Camera Pillar
VT-100-FIX-KF-ALT	VT100 Klick Fast Stud
AC-USB-MICROB-100	Replacement Micro USB Cable
AC-USB-DOCK-200, AC-USB-DOCK-050	Replacement USB Type A to USB Type B Cable (0.5m, 2.0m)
AC-LANYARD-05	Lanyard with 5 Breakpoints and 2 Loops



### KLICK FAST FIXINGS

Klick Fast Fixings are compatible with the **VT-100-N** when used in conjunction with the **VT-100-FIX-KF-ALT** attachment.

KF-SCREW	Klick Fast Uniform Screw-on Dock
KF-LOOP	Klick Fast Radio Loop Dock
KF-DOCKCLAMP	Klick Fast Dock Clamp (Pocket Klick Fast Dock)
KF-DOCKEP	Klick Fast Dock Epaulette
KF-MAGMOUNT	Klick Fast Magnetic Mounting Set (Supplied w/o Magnets)
KF-MOLLEVEST	Klick Fast Dock for MOLLE Vests



### KLICK FAST HARNESSES

Klick Fast Harnesses are compatible with the **VT-100-N** when used in conjunction with the **VT-100-FIX-KF-ALT** attachment.

KF-HARN3	Klick Fast 3-Point Chest Harness
KF-HARN4	Klick Fast 4-Point Chest Harness
KF-HARN5	Klick Fast Shoulder Harness

For more information, please visit: [www.motorolasolutions.com](http://www.motorolasolutions.com)

Motorola Solutions Ltd. Nova South, 160 Victoria Street, London, SW1E 5LB, United Kingdom

Availability is subject to individual country law and regulations. All specifications shown are typical unless otherwise stated and are subject to change without notice. MOTOROLA, MOTO, MOTOROLA SOLUTIONS and the Stylized M Logo are trademarks or registered trademarks of Motorola Trademark Holdings, LLC and are used under license. All other trademarks are the property of their respective owners.  
© 2020 Motorola Solutions, Inc. All rights reserved. (04/20) (ED-002-023-06)